

# Fast, Flexible Fixed-Wireless Connectivity

**Verizon FWA keeps  
your business communications ready.**



# When it comes to internet connectivity, Partners should demand:



## Coverage

Ninety-nine percent of the U.S. population covered by our 4G LTE network<sup>1</sup>



## Versatility

Adjust and move as your customers needs change



## Speed

Connectivity in days, not weeks

<sup>1</sup>Based on 9.15.2019 U.S. Census population data.



Verizon confidential and proprietary. Unauthorized disclosure, reproduction or other use prohibited.



# How LTE Business Internet benefits Our Partners



## Flexibility:

- Ready to go with plug-and-play installation
- Multiple Pricing-plan options based on your needs
- More data available, as your customers require



## Reliability:

- Business continuity with primary and backup connections
- Internet connectivity running on America's most reliable 4G LTE network<sup>1</sup>



## Control:

- Cost-effective choices when compared to other connectivity options
- Ship and replace your customer's router without the need for a technician or truck roll



<sup>1</sup> Based on RootMetrics® by IHS Markit's RootScore® Reports: 1H 2019. Tested with best commercially available smartphones on four national mobile networks across all available network types. Experiences may vary. RootMetrics awards are not an endorsement of Verizon.

# We have coverage where it counts

Are you covered? Go to [verizon.com/featured/our-network/#maps](http://verizon.com/featured/our-network/#maps)

Our 4GLTE covers

# 327 M

Million people

That's more than

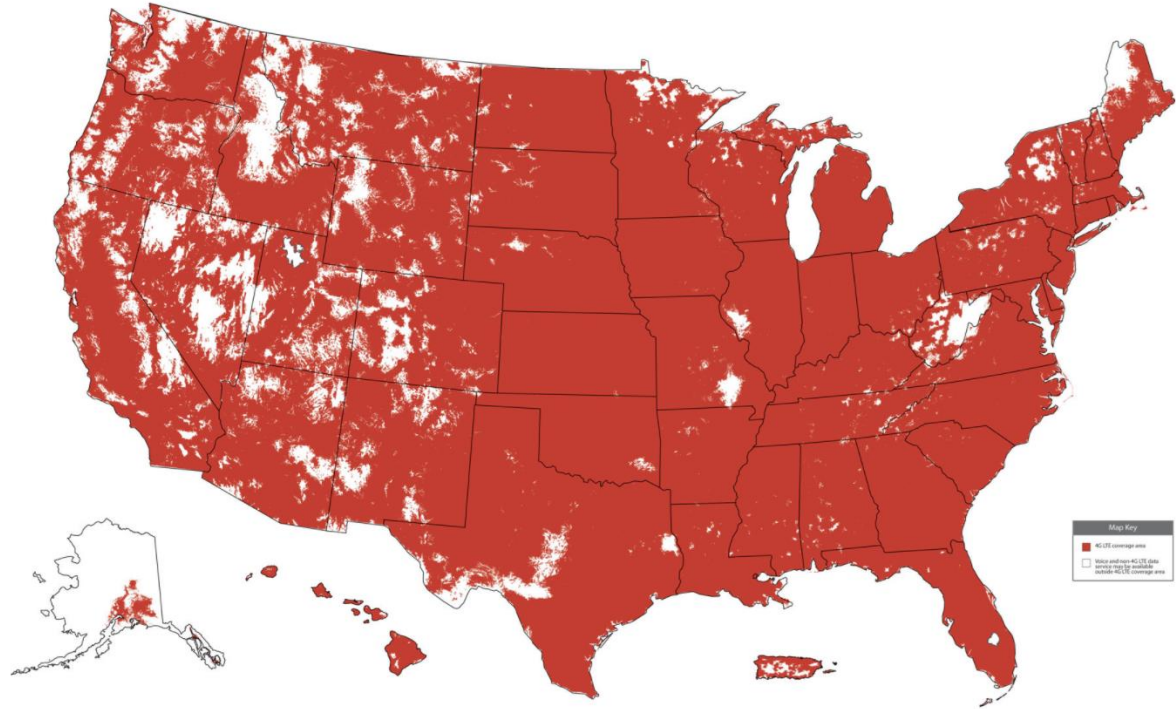
# 2.56 M

square miles

And over

# 99%

Of the US population



---

# Verizon is a trusted partner.

# \$52.9 B

In March 2021, we invested \$52.9 billion on new C-Band spectrum.<sup>1</sup>

# 1.45 Gbps

in 4G LTE Advanced in six-channel carrier aggregation.<sup>2</sup>

# 900+

certified machine-to-machine (M2M) chipsets, modules and devices and growing ... fast.

**From copper wire to millimeter-wave and C-Band spectrums, the spirit of service drives us ever forward.**

1. <https://www.verizon.com/about/news/verizon-announces-c-band-auction-results>

2. Based on IMT 2020, the ITU's framework for the development of 5G. IMT 2020 sets expectations for future capabilities of 5G networks. Full realization of capabilities and timing will depend on specific use cases, network equipment, devices, spectrum and other factors. Verizon confidential and proprietary. Unauthorized disclosure, reproduction or other use prohibited.

---

# Businesses are transforming the way they work.

## Unprecedented remote work

# 58%

of U.S. workers are sometimes or always working remotely.<sup>1</sup>

## Strained supply chains

# 75%

of supply chain leaders said they struggled with insufficient technologies.<sup>3</sup>

## Changing customer expectations

# 80%

of business customers and 58% of consumers expect to conduct more business online post-pandemic.<sup>2</sup>

## Accelerated digitization

# 60%

Average share of products and/or services that are partially or fully digitized by North American companies – a six-year acceleration.<sup>4</sup>

1. <https://news.gallup.com/poll/321800/covid-remote-work-update.aspx>

2. [https://www.salesforce.com/content/dam/web/en\\_us/www/documents/research/salesforce-state-of-the-connected-customer-4th-ed.pdf](https://www.salesforce.com/content/dam/web/en_us/www/documents/research/salesforce-state-of-the-connected-customer-4th-ed.pdf)

3. <https://www.mckinsey.com/business-functions/operations/our-insights/resetting-supply-chains-for-the-next-normal>

4. <https://www.mckinsey.com/business-functions/strategy-and-corporate-finance/our-insights/how-covid-19-has-pushed-companies-over-the-technology-tipping-point-and-transformed-business-forever>

Verizon confidential and proprietary. Unauthorized disclosure, reproduction or other use prohibited.

# Applying FWA in real world scenarios.

Here's how customers are using FWA today to solve real business problems.



An auto dealer connected their 15 dealerships in order to manage their cloud-based software for Sales and Inventory.



When ISPs were unable to provide reliable connectivity at a favorable price point, a retailer turned to Verizon to successfully open multiple locations in rural Oklahoma.



As employees continue to work from home a law office is trialing providing Business Internet as an alternative to a stipend.



As a restaurant approached its grand opening, they could not wait weeks for the ISP to install their internet. Instead, Verizon provided next day delivery of an LTE-enabled router for nearly immediate internet access.



An occupational health provider has clinics and teams nationwide and uses FWA for fast, reliable communications.



A salon located inside a retail store lacked dedicated internet connectivity, impacting it's scheduling and POS. LTE BI provided the internet connection they needed, with no cables to install.



A road maintenance company required internet connectivity for 50 vehicles to provide video surveillance while at work painting the highways in Oklahoma.

# Adding Wireless Connectivity

1.

Primary Internet



Failover Router Solutions

2.

SD-WAN



Out of Band Management

3.

Parallel Networks



LTE Business Internet

4.

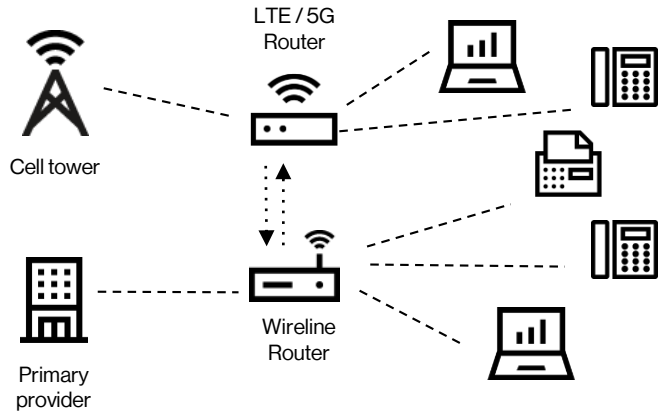
Interim Solution



Wireless Backup

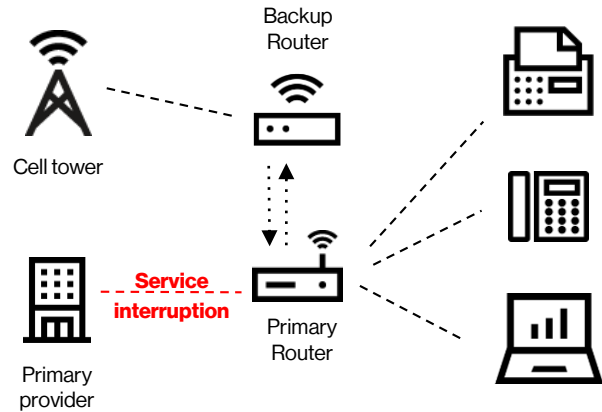


# Supplement existing wireline infrastructures



## Parallel connections

- Parallel FWA connections active load sharing with wireline
- SD-WAN
- For mission critical locations and business applications which require access diversity



## Backup connections

- Failover from primary wireline access
- Out-of-band access
- Network resiliency option to keep network up in extreme weather conditions

# Available Wireless Data Plan Types

## WIRELESS BACKUP POOLED PLANS

Data Sharing among lines on same plan type is available

500MB

1GB

2GB

4GB

5GB

10GB

Overage charges apply after pooled data allotment is exhausted

## SIGNATURE POOLED PLANS

Data Sharing is available among all lines active on these plans.

20GB

30GB

50GB

Overage charges apply after pooled data allotment is exhausted

## 300GB UNCAPPED NETWORK PLANS

Data Allowance of 300GB available speeds of

10Mbps

25Mbps

50Mbps

Overage charges apply after data allotment is exhausted

## 5G C-BAND NETWORK PLANS

Unlimited Data available at speeds of

100Mbps

200Mbps

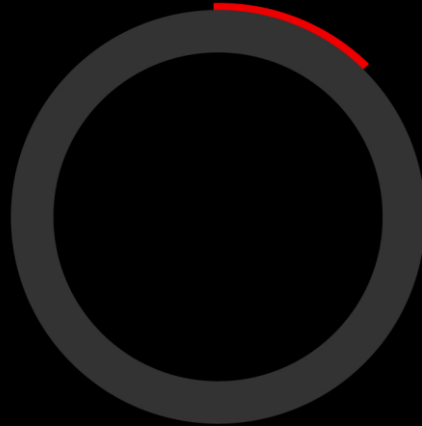
Upload speeds are ~10% of download

Voice and SMS not available for these plans. No domestic or international roaming. Availability as of March 2022. Other restrictions may apply.

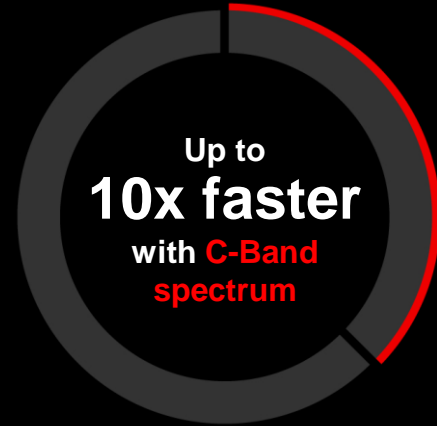


# Verizon 5G Ultra Wideband<sup>1</sup> Speeds

Verizon 5G Ultra Wideband<sup>1</sup> with C-Band spectrum offers speeds up to 10x faster than 4G LTE<sup>2</sup> and even higher speeds are possible with mmWave spectrum.



**4G LTE**



**5G Ultra Wideband**

5G Ultra Wideband available in select areas.  
Comparison is to median Verizon 4G LTE speeds

Verizon confidential and proprietary. Unauthorized disclosure, reproduction or other use prohibited.



# 5G Business Internet use cases

## Complementary solutions

### Internet connectivity

A new, fast and scalable fixed wireless connectivity experience. Reliable internet service via Verizon's 5G network.

### Branch connectivity

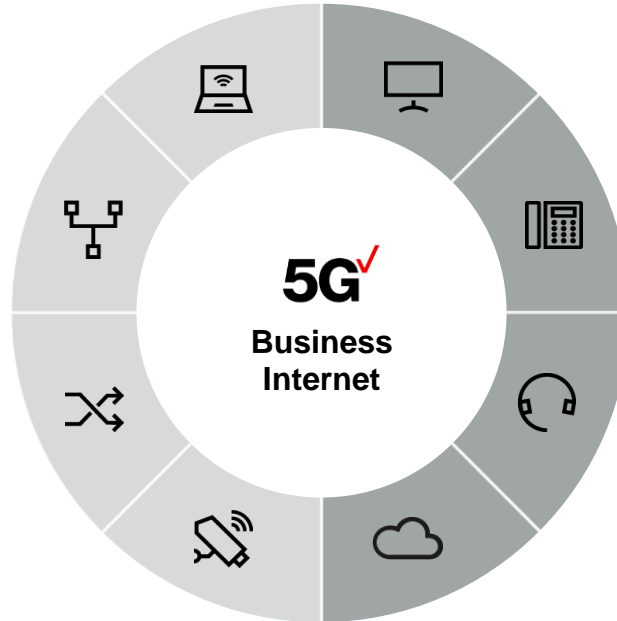
Quickly enable new locations and help enable your business to support future applications.

### Business continuity

Primary, backup or load-sharing internet connection with existing wired service.

### Video and enhanced surveillance

5G Business Internet speeds and latency enable virtually real-time video monitoring. Monitor remote cameras and perimeter sensors.



### BlueJeans

Unified video, audio and web conferencing together for a single, easy-to-use and quality experience.

### Contact center hub

Multi-channel contact-center solution with simple setup, supports mobile and deskbound users; helps you better engage customers and keep them satisfied.

### Routing solutions

Software-defined wide area network (SD WAN) or traditional IPsec. Supports bring-your-own-device (BYOD) routers with dynamic or static IP.

